

■ STANDARD

Comply with international standard EN1359, OIML R137 and MID2004/22/EC.

■ MATERIALS

Body case made of die-casting high-quality(galvanized)steel. Diaphragm made of synthetic rubber with long life and temperature resistant.

Valve and valve seat made of advanced PF synthetic resin.



■ Meter Features

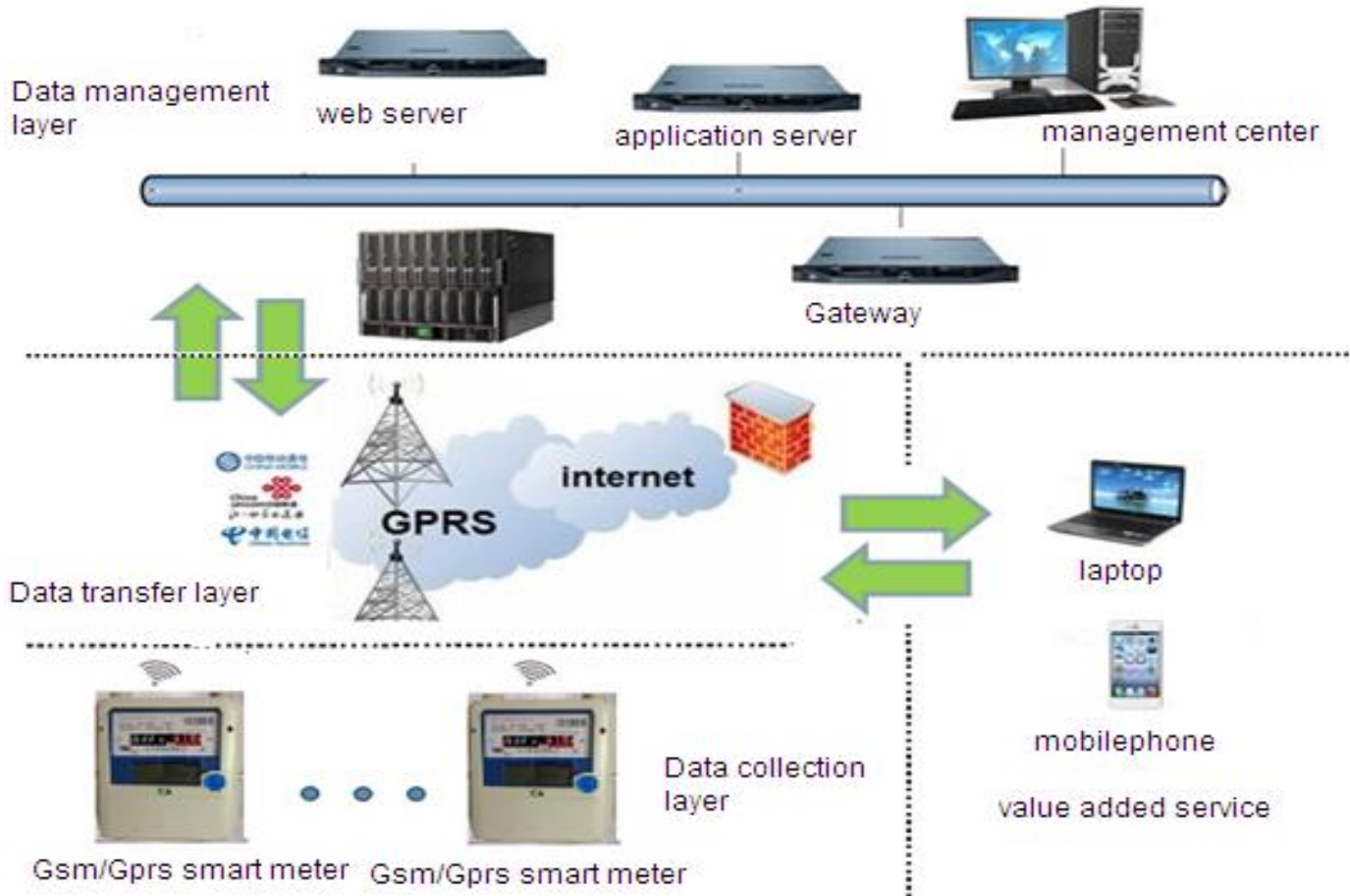
- Gas Consumption and Data Freezing
- Double power supply
- Remote Reading
- Power Monitoring
- Display and Alerts
- GSM/GPRS supporting
- Inbuilt GSM/GPRS SIM card
- 10 Years service life



■ SPECIFICATION

Nominal Flow Rate	1.6 m ³ /h	
Max. Flow Rate	2.5m ³ /h	
Min. Flow Rate	0.016m ³ /h	
Total Pressure Lose	≤200Pa	
Operation Pressure Range	0.5~50kPa	
Cyclic Volume	1.2dm ³	
Permissible Error	Qmin≤Q<0.1Qmax	±3%
	0.1Qmax≤Q≤Qmax	±1.5%
Min. Recording Reading	0.2dm ³	
Max. Recording Reading	99999.999m ³	
Operation Ambient Temperature	-10~+55℃	
Storage Temperature	-20~+60℃	
Service Life	More than10 years	
Connection Thread	NPT 3/4 or Customized.	
Communication	GSM/GPRS Protocol	

GPRS/GSM GAS METER SYSTEM LAYOUT



■ System Main Functions

- Consumption Data
- Operation Control
- Operation & Maintenance
- Value-Added Service

■ Alarms Features

- Tamper/ event Flag
- Communication failure
- Low battery
- Low Credit

■ Vending system features

- Friendly interface
- Online top up(web &app)
- Multi-tariff
- Holiday/Weekend
Emergency credit

■ **QUALITY CONTROL**

Seven steps quality control of leakage test

20 years production experience.

■ **FEATURES**

360 degree rotating valve designing

Customized connection thread

Sealing cannot be removed without breakage

■ **APPLICATION**

Nature gas, Biogas, LPG and all non-corrosive gas

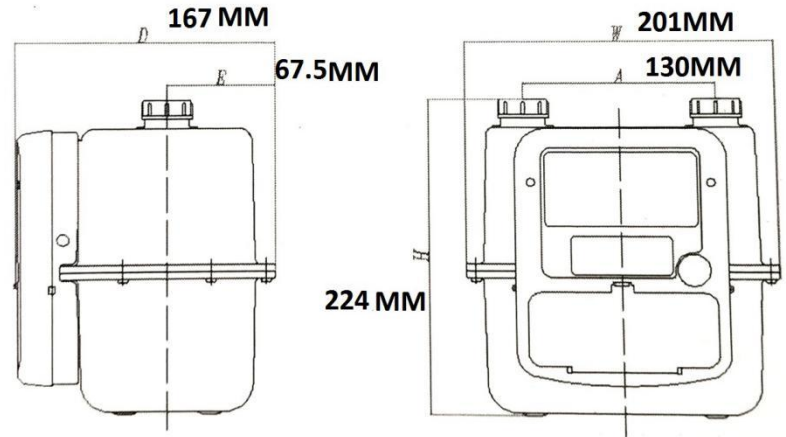
■ **INSTALLATION:**

1. Leakage checking before installation by inflating pressurized maximum 50 kPa. Far away from inflammable, explosive or poisonous gas and objects.

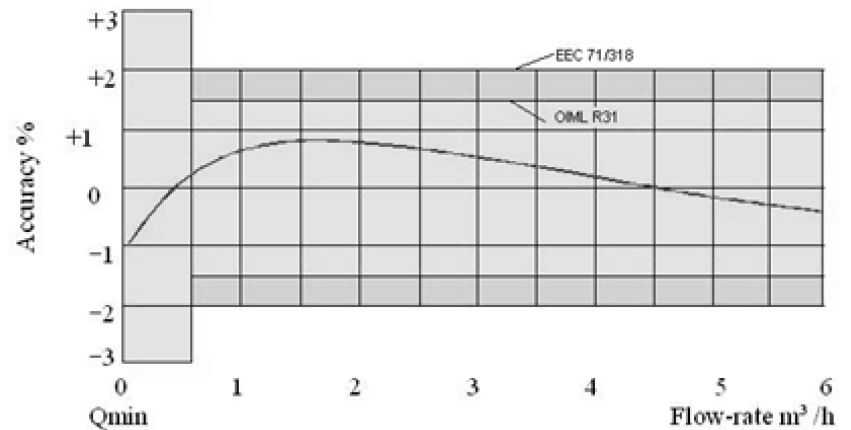
2. The gas meter should be installed in a dry place and 1.5m at least from hearth. The case of putting it in bedroom or bathroom is strictly forbidden.

3. Bumping, inverting or dampening should be prohibited in storage and transportation.

■ **DIMENSIONS(MM):**



TOPIC ERROR CURVE



PRESSURE LOSS CURVE

